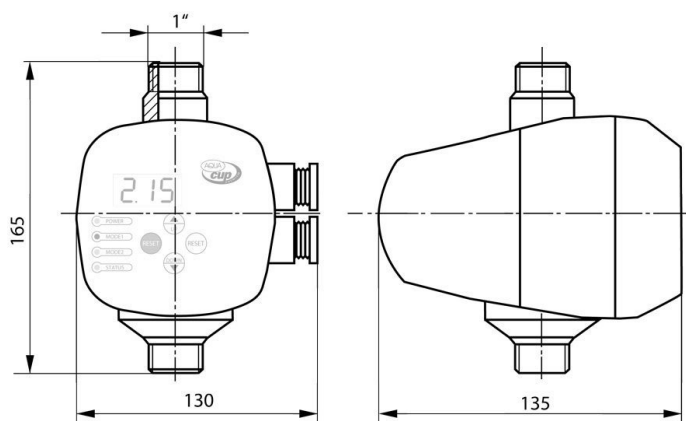


Electronic intelligent control device. This device serves as a control for surface and submersible pumps up to 2.2 kW and can be installed as a hydrostatic pump (MODE1) or as a water tank with a pressure vessel (MODE2).



## Technical parameters

- MODE 1 (hydrostat mode): • automatic start and stop of the pump • start pressure setting from 0.5 to 6 bar • stop of the pump when running dry • automatic restart after the water source is restored in time intervals • when the el. The pump will start automatically when the power supply is restored. energy • overpressure protection - pump stops automatically when pressure exceeds 9.8 bar • high-precision pressure sensor with real-time LED display • manual restart



<b>Power input:</b>	2200 W
<b>Voltage:</b>	230 V
<b>Weight:</b>	kg
<b>Cable length:</b>	m
<b>Connection:</b>	1"
<b>Max. temperature:</b>	60 °C
<b>Max. over pressure:</b>	10 bar

