

Three-speed rotary circulator pumps are suitable for circulating water in devices.



Construction characteristic

- cast iron pump body
- technopolymer impeller
- stainless steel guide ring
- chrome steel shaft
- stator body made of aluminum
- axial bearing of ceramic/carbon
- radial bearing made of nickel-plated steel

Motor

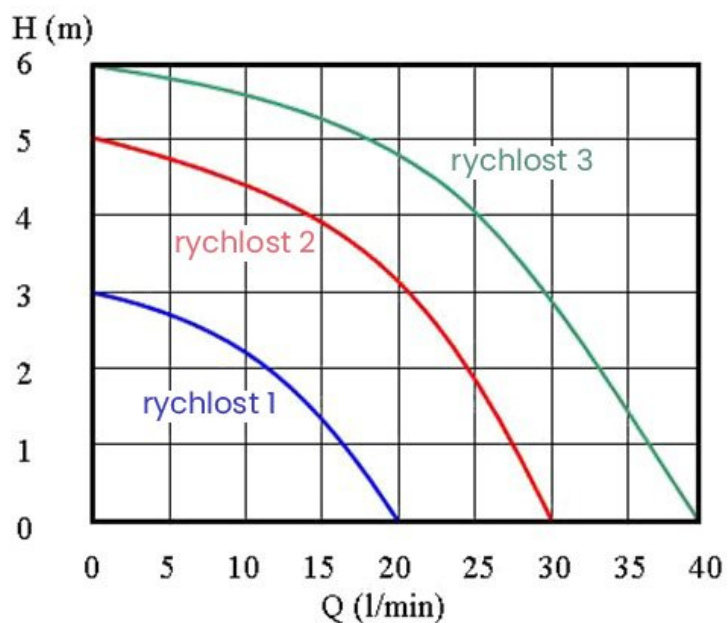
- wet rotor
- asynchronous single phase
- 3-speed run
- built-in capacitor
- insulation class F
- degree of protection IP 54

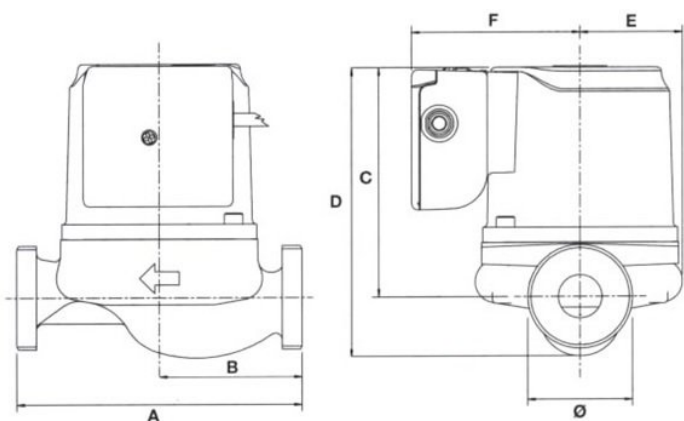
Usage

- clean, non-aggressive and non-explosive liquids
- without solid particles and fibers
- liquid temperature: from + 10°C to + 110°C
- max. operating temperature 40°C
- max. operating pressure 10 bar
- the pump must be installed so that the motor shaft is in the horizontal position
- connection: thread

Aplikace

- heating, pressure or open tank systems installed in buildings or industrial systems





Type:	25-40 130 mm
Power input:	90 W
Q max:	2400 l/h
Head height:	6 m
Voltage:	230 V
Weight:	3 kg
A dimensions:	180 mm
B dimensions:	90 mm
C dimensions:	105,4 mm
D dimensions:	135 mm
E dimensions:	46,6 mm
F dimensions:	76,7 mm
Max. temperature:	110 °C
Inlet connection:	6/4"
Build in dimension:	130 mm
Max. pressure:	10 bar