

Automatic boostersets equipped with Hydro-TECH intelligent control unit with integrated LCD LED display displaying the pressure value in real time.

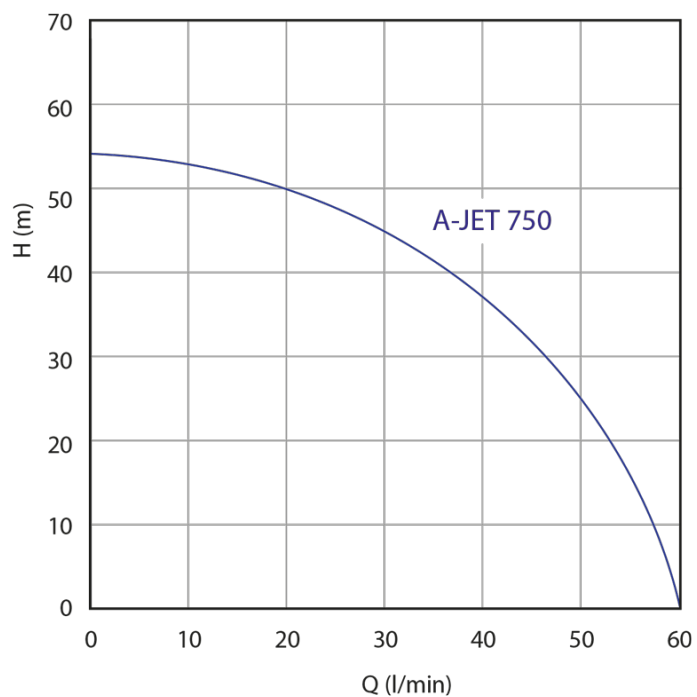
Simple setting of on / off pressure, dry running monitoring. Waterworks with a high quality self-priming cast iron pump and a pressure vessel of 24 to 80 liters.

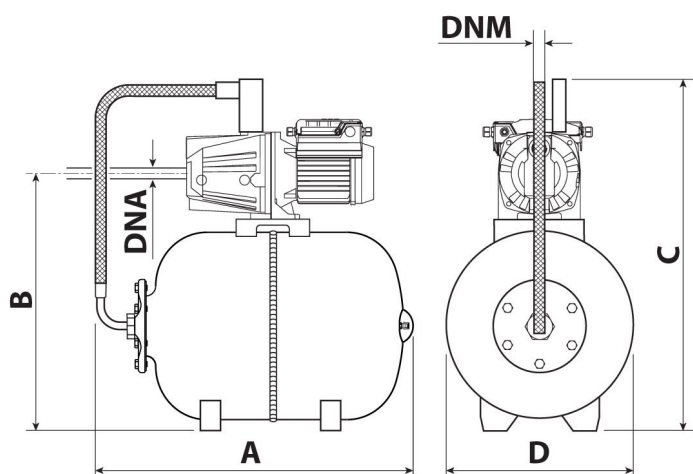


Usage

- max. recommended suction height with non-return valve 8 m
- max. working pressure 10 bar

Aplikace





Type:	80
Power input:	750 W
Q max:	3000 l/h
Head high:	m
Voltage:	230 V
Weight:	32 kg
Cable length:	1.5 m
A dimensions:	720 mm
B dimensions:	560 mm
C dimensions:	790 mm
DNA dimensions:	1"
DNM dimensions:	1"
Max. temperature:	40 °C
ON/OFF Pressure:	2 - 3,5 bar
Tank volume:	80 l
Suction height:	8 m
Max. over pressure:	10 bar
Max. pressure:	7,2 bar