

Automatic boostersets equipped with Hydro-TECH intelligent control unit with integrated LCD LED display displaying the pressure value in real time.

Simple setting of on / off pressure, dry running monitoring. Waterworks with a high quality self-priming cast iron pump and a pressure vessel of 24 to 80 liters.



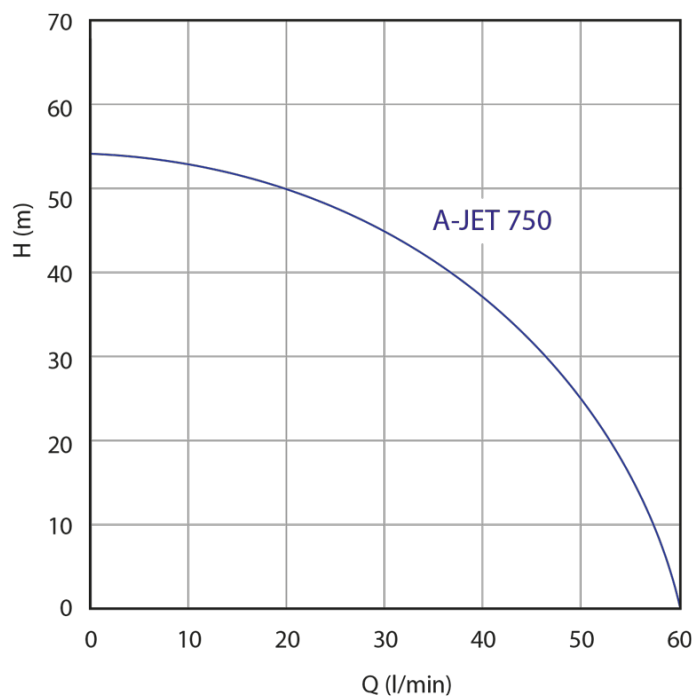
Motor

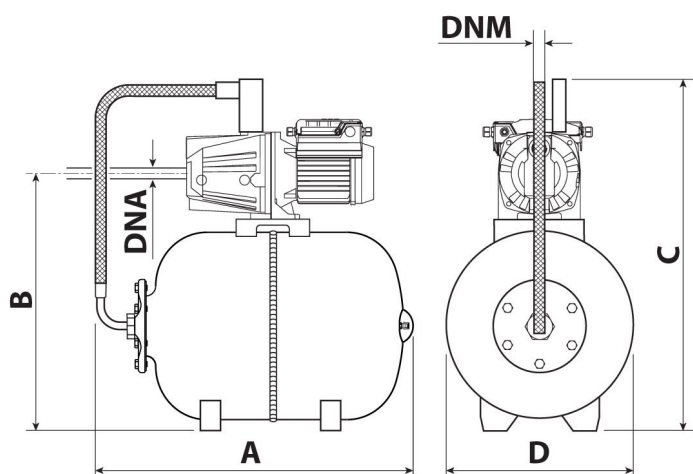
- IP 44 protection
- single phase version with permanently built-in condenser
- flexicable 1,5 m

Usage

- max. recommended suction height with non-return valve 8 m
- max. working pressure 10 bar

Aplikace





Type:	50
Power input:	750 W
Q max:	3000 l/h
Head height:	m
Voltage:	230 V
Weight:	kg
Diameter:	mm
A dimensions:	610 mm
B dimensions:	510 mm
C dimensions:	740 mm
DNA dimensions:	1"
DNM dimensions:	1"
ON/OFF Pressure:	2 - 3,5 bar
Tank volume:	50 l
Suction height:	8 m
Max. over pressure:	10 bar