

Self-priming pump with a pre-filter of mechanical impurities with a washable insert. Included is the pre-filter key.

## Construction characteristic

- plastic pump body
- technopolymer impeller
- a diffuser and a technopolymer venturi tube
- Stainless steel shaft
- handle made of ABS plastic
- a mechanical seal made of graphite and a counterflange made of ceramics

## Motor

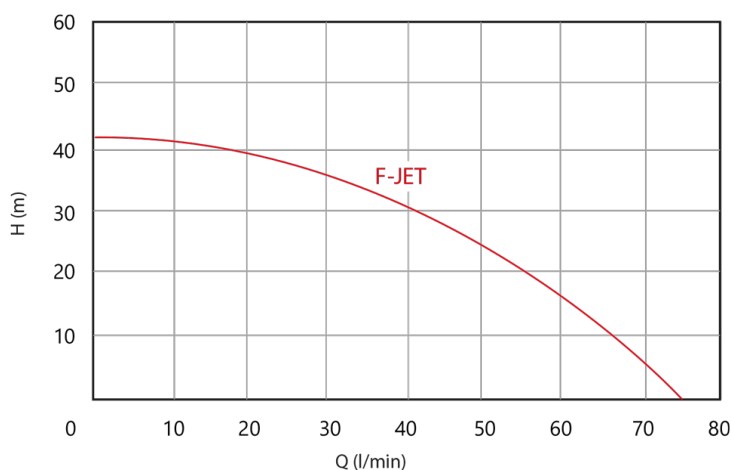
- closed, chilled outside
- IPX4 protection
- insulation class F
- single phase version with permanently built-in condenser
- thermal protection in the motor winding
- switch on the motor terminal block
- flexicable 1,5 m
- speed 2850 rpm

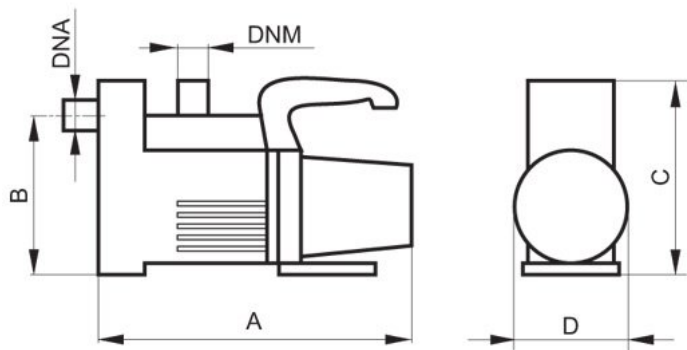
## Usage

- type of liquid: pure and service water
- max. pumped liquid temperature 40°C
- max. recommended suction height with non-return valve 8 m

## Aplikace

- small pressure devices
- Booster setst
- irrigation
- car washes





<b>Type:</b>	F-JET
<b>Power input:</b>	900 W
<b>Q max:</b>	4500 l/h
<b>Head hight:</b>	42 m
<b>Voltage:</b>	230 V
<b>A dimensions:</b>	455 mm
<b>B dimensions:</b>	60 mm
<b>C dimensions:</b>	190 mm
<b>D dimensions:</b>	185 mm
<b>E dimensions:</b>	190 mm
<b>DNA dimensions:</b>	1" F
<b>DNM dimensions:</b>	1" F
<b>Max. temperature:</b>	40 °C
<b>Suction height:</b>	8 m

