

The tanks are suitable as containers for clean or service water under atmospheric pressure. They are lightweight, storable and easy to handle.



Construction characteristic

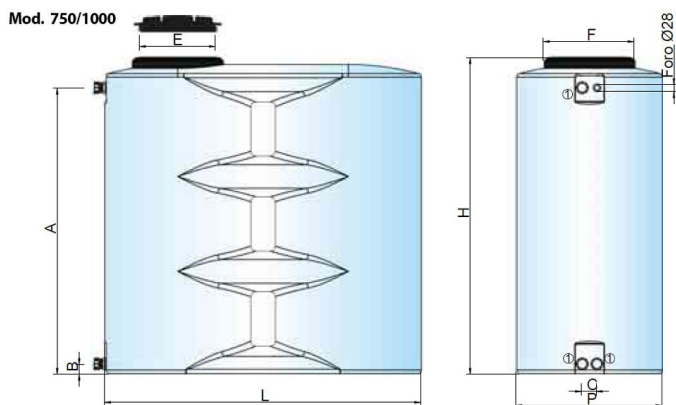
- made of high-density non-toxic linear polyethylene
- have a monolithic construction without critical points

Usage

- are suitable as reservoirs of pure or service water under atmospheric pressure

Technical parameters

- are resistant to UV radiation, algae formation, temperature fluctuations, impact and chemicals
- resistant to temperatures up to 60°C
- they can be easily cleaned with conventional cleaning agents
- they are light, storable and easy to handle



Type:	N 1000
P dimensions:	655 mm
L dimensions - lenght:	1410 mm
H dimensions - height:	1415 mm
W dimensions - width:	655 mm
A dimensions:	1275 mm
B dimensions:	40 mm
C dimensions:	60 mm
E dimensions:	310 mm
F dimensions:	370 mm
Tank volume:	1000 l
Inlet size:	310 mm

