

Automatic repumping box for waste and sewage water, equipped with two SHREDD pumps with a robust cutting device.



### Construction characteristic

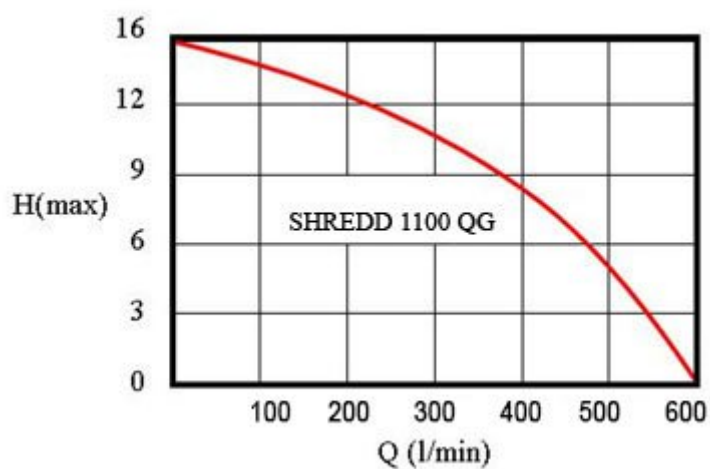
- polyethylene stainless steel anti-corrosion tank 750 l
- plastic lid with thread for easy access to the pump
- simple dismantling of the pump from the box
- the box is fully equipped including electric wiring

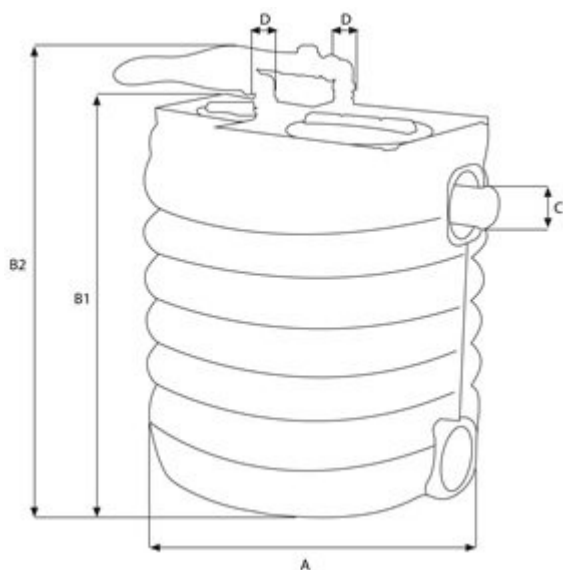
### Usage

- waste liquids for household and industry
- pumping waste water and rainwater
- max. operating temperature 40°C

### Pump SHREDD

- motor type 230 V
- degree of protection IP 68
- insulation class B
- speed 2800 rpm
- floating switch
- pump body made of high quality cast iron GG 20
- wheel and crusher of cast iron ZG 40 Cr
- Stainless steel shaft 2 Cr13
- double mechanical seal
- designed for continuous operation
- 10 m connecting cable (H07RNF)





<b>Type:</b>	SUMOBOX 750/Shredd-2
<b>Power input:</b>	1100 W
<b>Q max:</b>	36000 l/h
<b>Head high:</b>	16 m
<b>Voltage:</b>	230 V
<b>Cable length:</b>	10 m
<b>A dimensions:</b>	1100 mm
<b>B dimensions:</b>	1350 mm
<b>B1 dimensions:</b>	1160 mm
<b>C dimensions:</b>	110 mm
<b>D dimensions:</b>	63 mm
<b>Connection:</b>	2"
<b>Max. temperature:</b>	40 °C
<b>Tank volume:</b>	750 l

