

Stainless steel boostersets suitable for pumping clean water without solid impurities and abrasive material.



Construction characteristic

- cast iron pump body
- brass impellers
- Stainless steel shaft
- a mechanical seal made of graphite and a counterflange made of ceramics

Motor

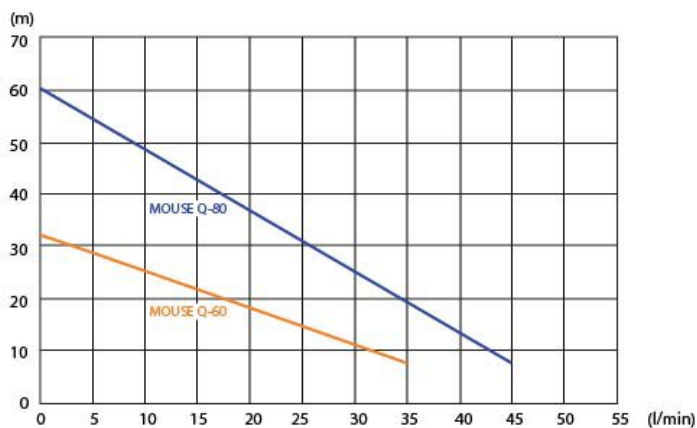
- closed, chilled outside
- IPX4 protection
- insulation class F
- single phase version with permanently built-in condenser
- thermal protection in the motor winding
- speed 2850 rpm

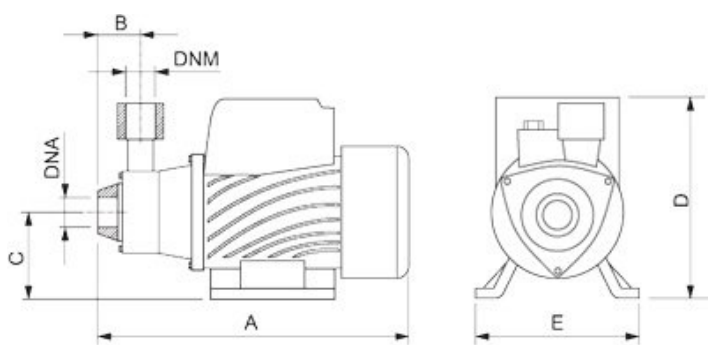
Usage

- type of liquid: pure water without solid additives and abrasive material
- max. pumped liquid temperature 40°C
- max. recommended suction height with backflow flap 5 m
- max. working pressure 10 bar

Aplikace

- small pressure devices
- Booster setst
- irrigation





Type:	Q-60
Power input:	370 W
Q max:	2100 l/h
Head high:	32 m
Voltage:	230 V
Weight:	5 kg
A dimensions:	260 mm
B dimensions:	50 mm
C dimensions:	60 mm
D dimensions:	155 mm
E dimensions:	120 mm
DNA dimensions:	1"
DNM dimensions:	1"
Max. temperature:	40 °C
Suction height:	5 m
Max. over pressure:	10 bar