

Underground vertical polyethylene tanks designed to store clean or service water at atmospheric pressure. Their biggest advantage is the installation without the need for concreting (they are installed directly into the excavation).



## Construction characteristic

---

- made of high-density non-toxic linear polyethylene
- have a monolithic construction without critical points

## Usage

---

- intended for the storage of clean or service water at atmospheric pressure

## Accessory

---

- part of the delivery is evidence of impermeability of the underground tank

## Technical parameters

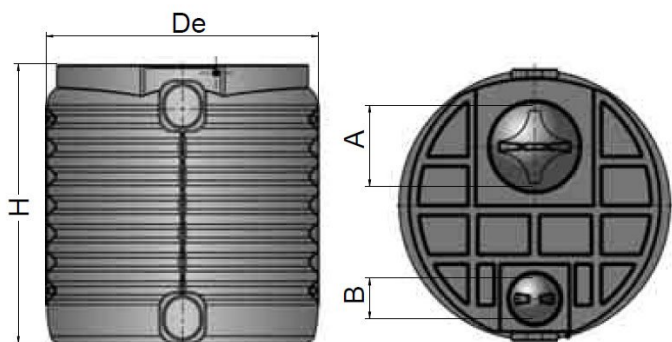
---

- are resistant to UV rays and algae formation
- they are light and easy to handle
- resistant to chemicals and temperature differences
- an advantage is the installation without the need for concreting

## Installation instructions

---

- The container lid copies the surrounding terrain, allowing installation at a level of solid or alluvial terrain (eg walkway, lawns).
- Prepare a ditch 20 cm larger than the size of the tank.
- Put at least 10 cm of sand at the bottom of the trench and place the tank on it.
- Keep the tank so deep that the tank lid is at the level of the surrounding surface.
- The surrounding surface may be different, eg grass and clay surfaces, concrete surface, paving.
- Test connections, but be careful not to fill the tank with more than 15 cm of water.
- Hang up the tank with sand to a height of 15 cm.
- Gradually add 15-20 cm of water and sand and solidify.
- If you want to ensure the watertightness of the tanks, you need to seal them with silicone.
- The tank should not be near the road.
- If the tank is installed in a location where there is a high level of groundwater, the tank needs to be insulated with concrete walls.
- The same applies if there are tall trees in the vicinity of the tank, which could damage the tank by their roots.



<b>Type:</b>	VZ 1680
<b>Weight:</b>	70 kg
<b>H dimensions - height:</b>	1445 mm
<b>De:</b>	1400 mm
<b>W dimensions - width:</b>	1400 mm
<b>A dimensions:</b>	410 mm
<b>B dimensions:</b>	310 mm
<b>Tank volume:</b>	1680 l
<b>Montage dimension A:</b>	410 mm
<b>Montage dimension B:</b>	310 mm

