

The containers are suitable as containers for clean or service water under atmospheric pressure. They are lightweight, storable and easy to handle.



## Construction characteristic

---

- made of high-density non-toxic linear polyethylene
- have a monolithic construction without critical points

## Usage

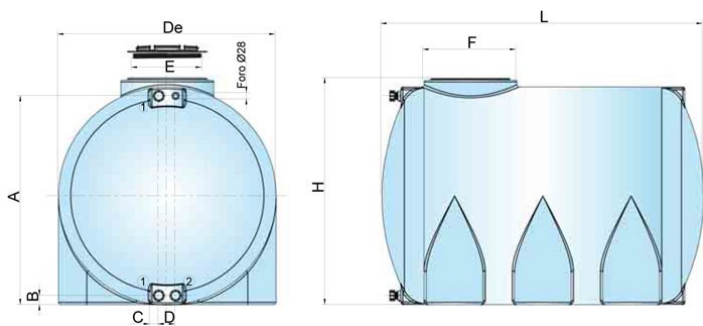
---

- are suitable as reservoirs of pure or service water under atmospheric pressure

## Technical parameters

---

- are resistant to UV radiation, algae formation, temperature fluctuations, impact and chemicals
- resistant to temperatures up to 60°C
- they can be easily cleaned with conventional cleaning agents
- they are light, storable and easy to handle
- when installing, it is necessary to put the tank in a horizontal position



<b>Type:</b>	H 5000
<b>L dimensions - length:</b>	2230 mm
<b>H dimensions - height:</b>	1770 mm
<b>De:</b>	1720 mm
<b>A dimensions:</b>	1670 mm
<b>B dimensions:</b>	50 mm
<b>C dimensions:</b>	45 mm
<b>D dimensions:</b>	65 mm
<b>E dimensions:</b>	405 mm
<b>F dimensions:</b>	510 mm
<b>DNA dimensions:</b>	1"
<b>Tank volume:</b>	5000 l
<b>Inlet size:</b>	405 mm

