

The containers are suitable as containers for clean or service water under atmospheric pressure. They are lightweight, storable and easy to handle.



Construction characteristic

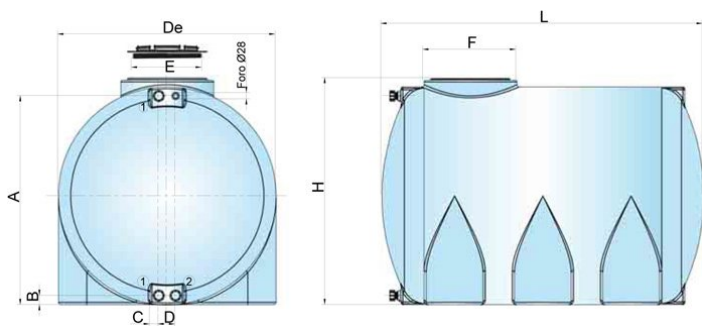
- made of high-density non-toxic linear polyethylene
- have a monolithic construction without critical points

Usage

- are suitable as reservoirs of pure or service water under atmospheric pressure

Technical parameters

- are resistant to UV radiation, algae formation, temperature fluctuations, impact and chemicals
- resistant to temperatures up to 60°C
- they can be easily cleaned with conventional cleaning agents
- they are light, storable and easy to handle
- when installing, it is necessary to put the tank in a horizontal position



Type:	H 300
L dimensions - lenght:	900 mm
H dimensions - height:	705 mm
De:	665 mm
A dimensions:	625 mm
B dimensions:	40 mm
C dimensions:	40 mm
D dimensions:	70 mm
E dimensions:	310 mm
F dimensions:	410 mm
DNA dimensions:	1"
Tank volume:	300 l
Inlet size:	310 mm

