

Fountain pumps with a 10 m connecting cable, with a washable filter, with two nozzles and a flow control valve for waterfall, cascade or stream. They are suitable for building fountains in garden ponds.



Construction characteristic

- technopolymer pump body
- plastic impeller
- flushing algae filter
- 2 pc of nozzle
- removable filter cover

Motor

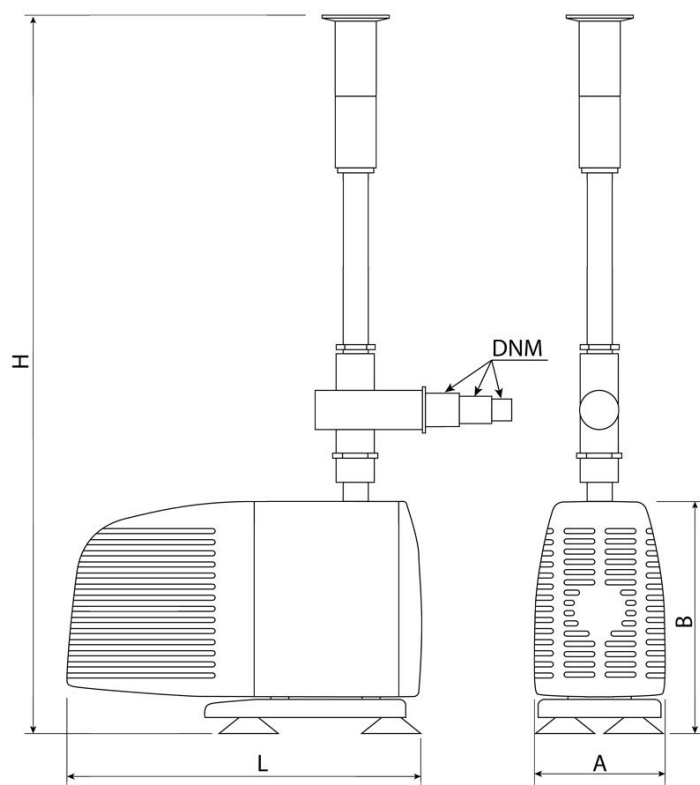
- degree of protection IP 68
- speed 2850 rpm
- 10 m connecting cable

Usage

- type of liquid: slightly polluted water
- max. pumped liquid temperature 35°C
- max height according to the used nozzle

Aplikace

- residential fountains
- garden ponds
- do angličtiny češtiny němčiny water oxidation
- pump for filtrations



Type:	MANDY 45
Power input:	45 W
Q max:	2000 l/h
Head high:	3 m
Voltage:	230 V
Weight:	2,1 kg
Cable length:	10 m
L dimensions - length:	mm
H dimensions - height:	mm
A dimensions:	mm
B dimensions:	mm
C dimensions:	125 mm
DNM dimensions:	1/2"-1"
Max. temperature:	35 °C
Nozzle:	FT4

